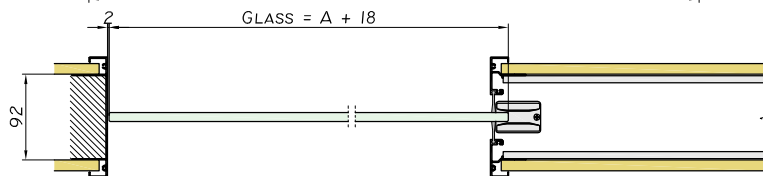
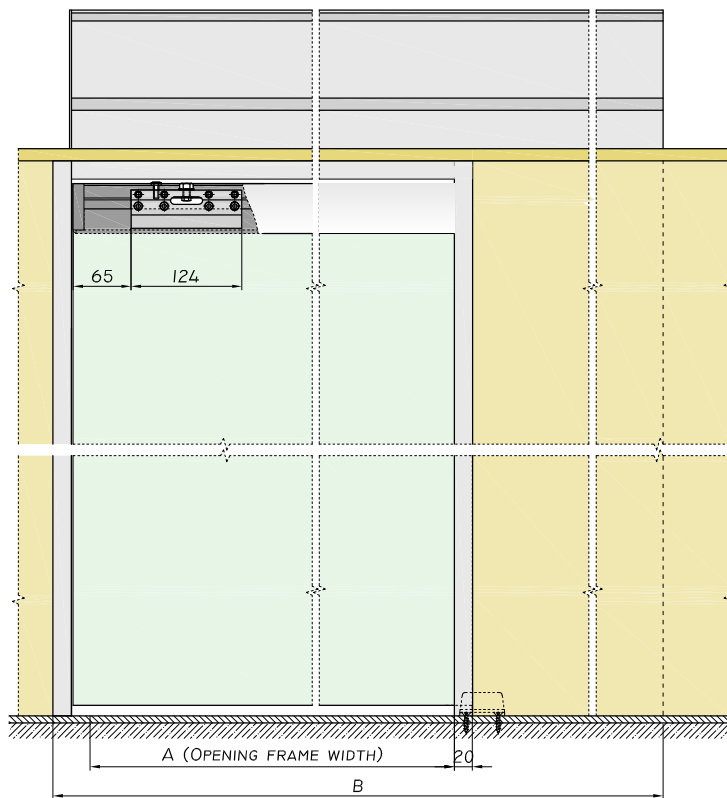
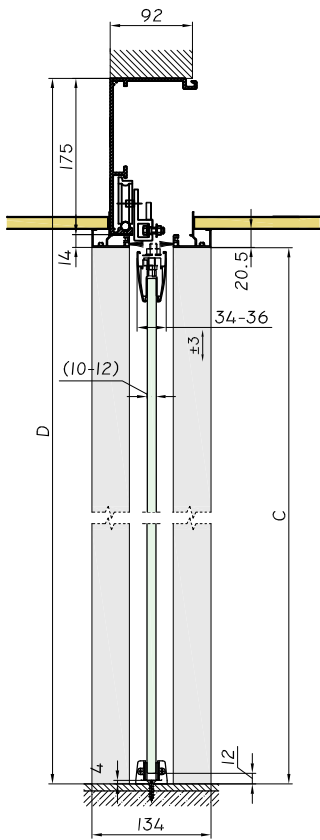
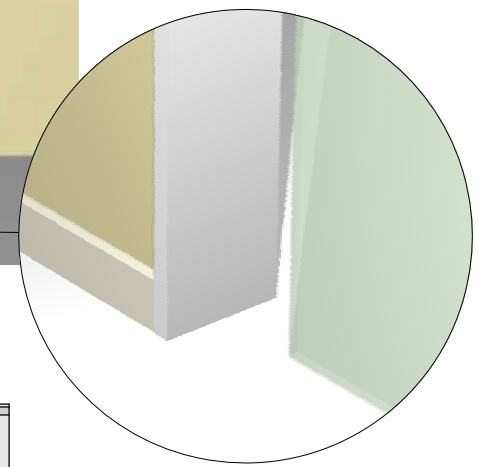
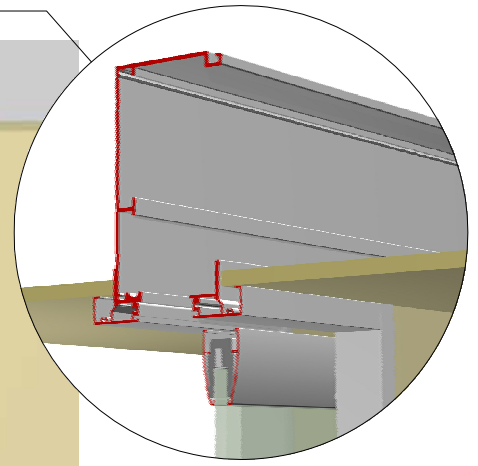
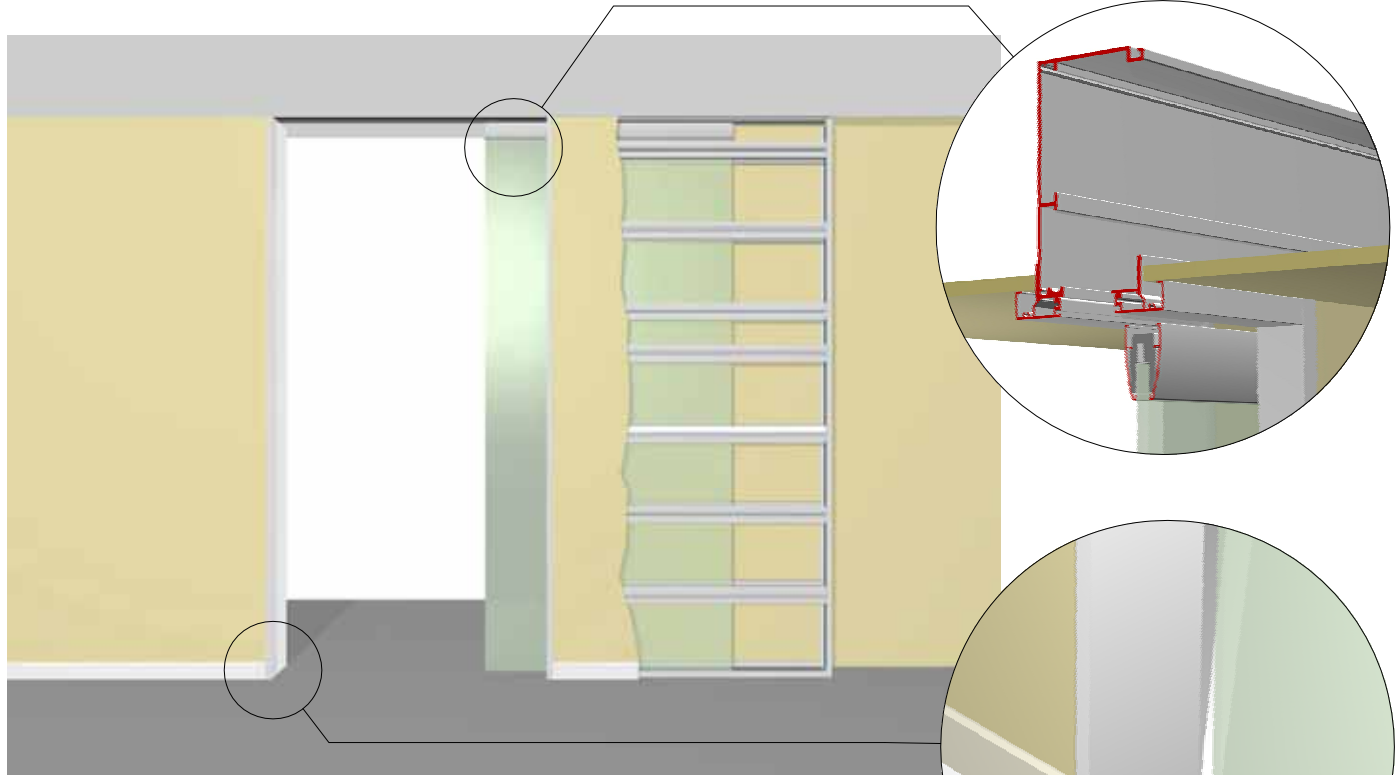


Automatic Cavity Slider - STD Flush Setting Section

Single Glass Door Panel



- A - Opening frame width.
- B - Overall frame size.
- C - Distance from finished floor to underside of track.
- D - Distance from finished floor to underside of support beam.

The Automatic Door Operators are manufactured by "AUTO INGRESS" from high quality materials and under strict supervision to comply with the current Australian Standards for Automatic Door Assemblies. Each unit is checked, tested and warranted to be free from defects in materials and workmanship.