

## Aluminium Cavity Slider – suit Timber panels

Data Sheet TDD 0806 - 04

### Technical Data

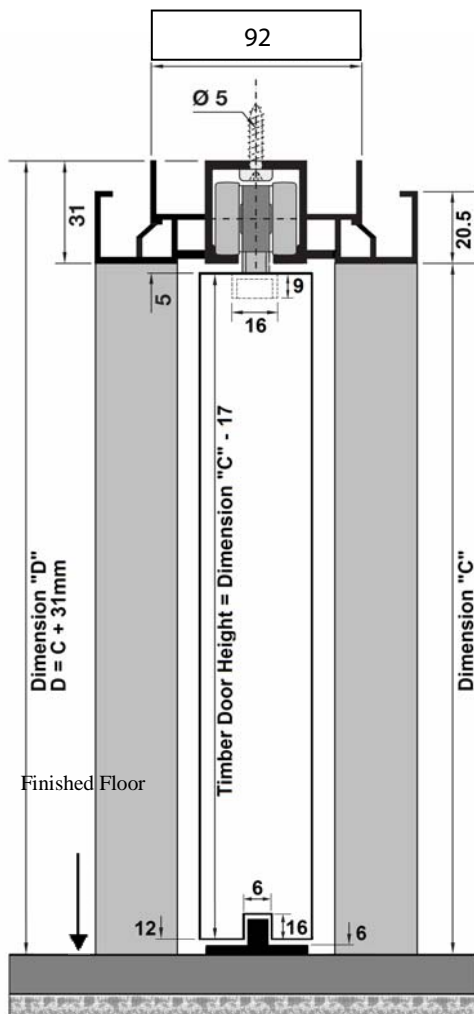
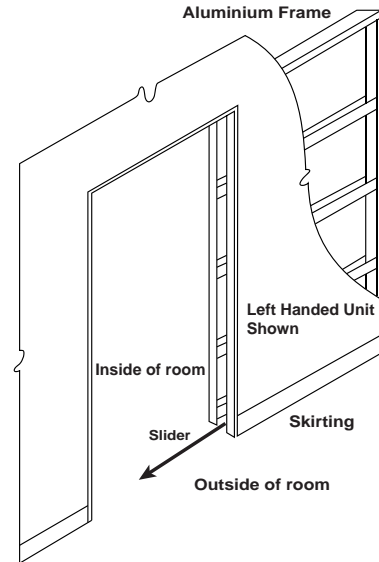
- Max weight per door leaf 100kg
- Suit 92mm metal studs 90 mm timber studs
- Suit 10mm or 13mm wall plasterboard

### Finishes

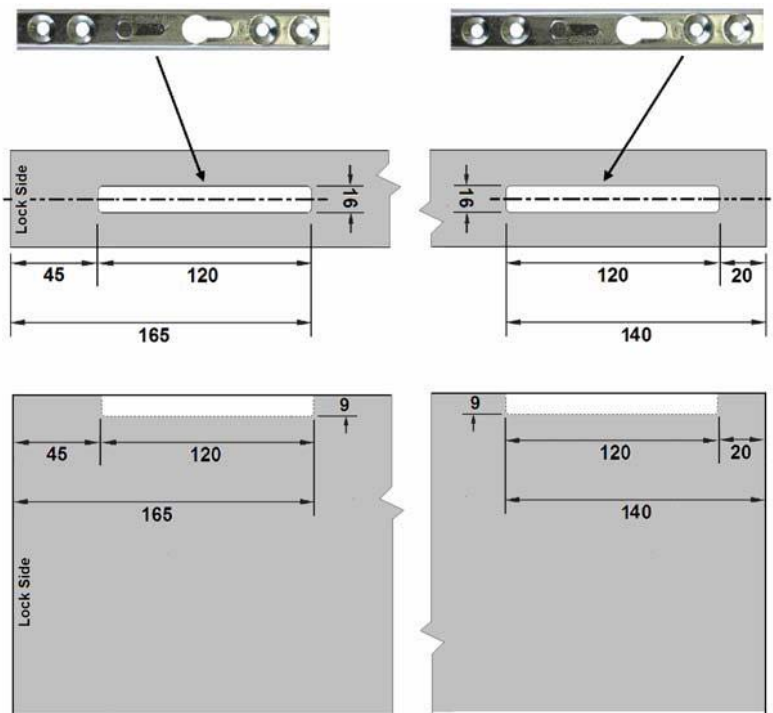
- Clear anodized trims as standard
- Flush set and powder coat finish options available

### Features

- Unit supplied ready to install
- No pelmets
- Option of single or bi-parting units



Mounting brackets MUST be recessed into doors as shown.



Dimensional data not binding. We reserve the right to alter specifications without notice.