

Aluminium Cavity Slider – suit Glass panels

Data Sheet TDD 0806 - 02

Technical Data

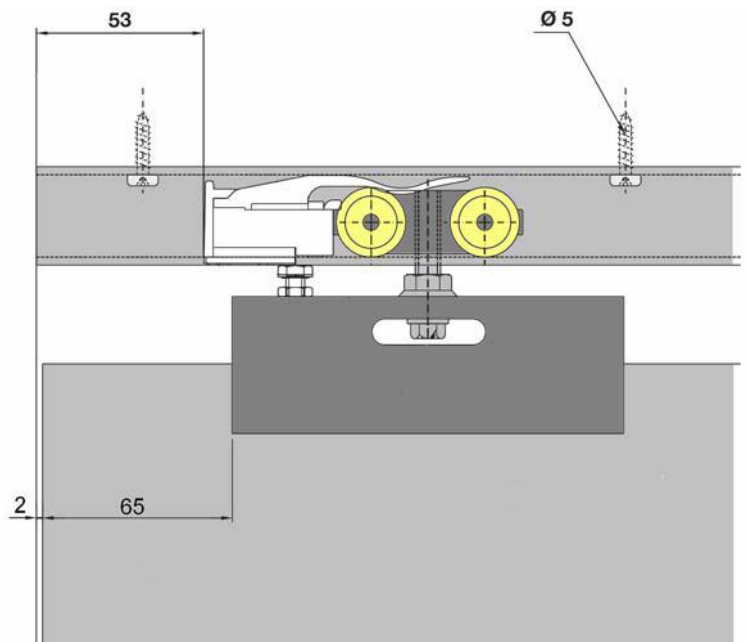
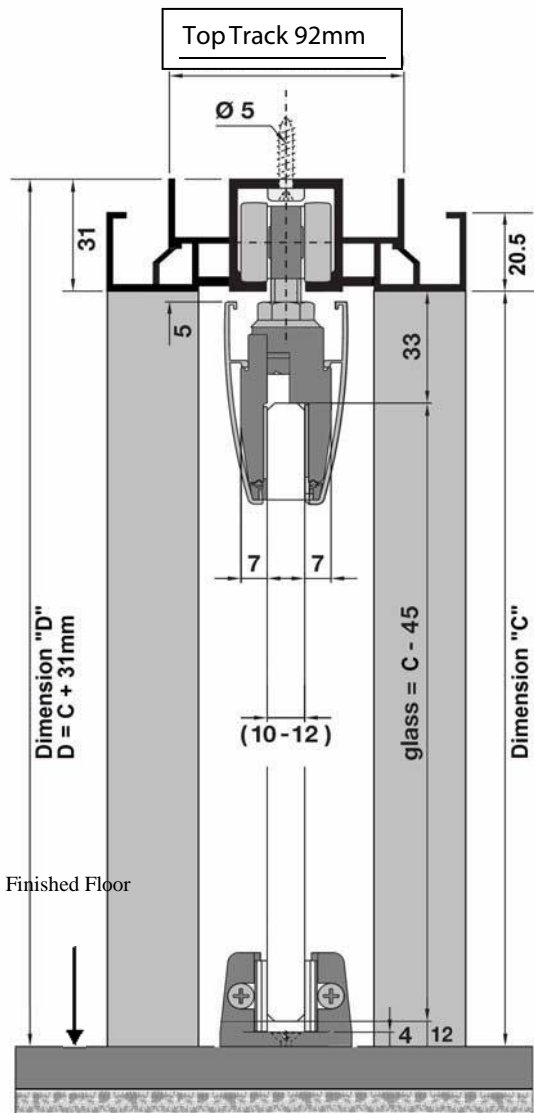
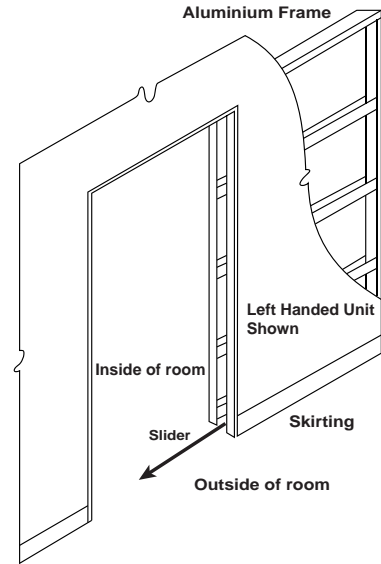
- Max weight per door leaf 100kg
- Suits 10mm or 12mm Glass
- Suit 92mm metal studs & 90 mm timber
- Suit 10mm or 13mm wall plasterboard

Finishes

- Clear anodized trims as standard
- Flush set and powder coat finish options available

Features

- Unit supplied ready to install
- No pelmets
- Option of single or bi-parting units



Dimensional data not binding. We reserve the right to alter specifications without notice.