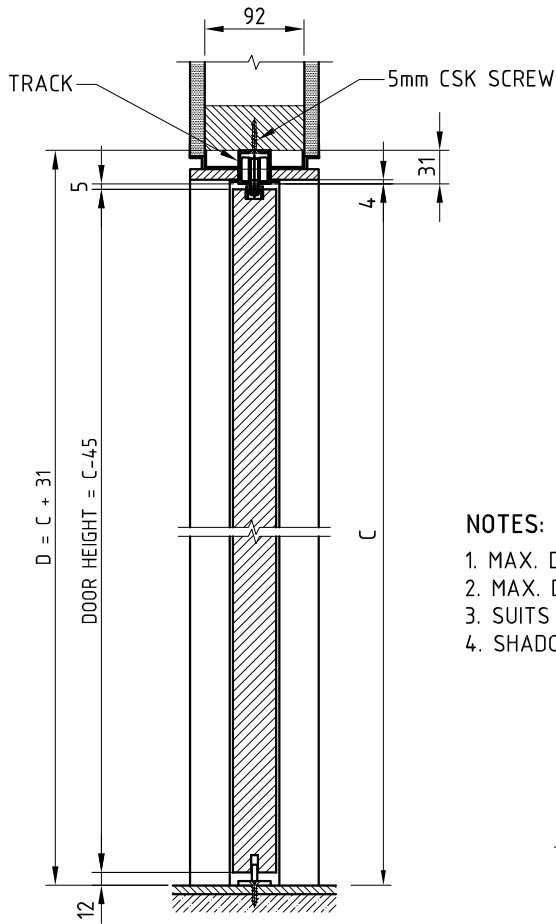
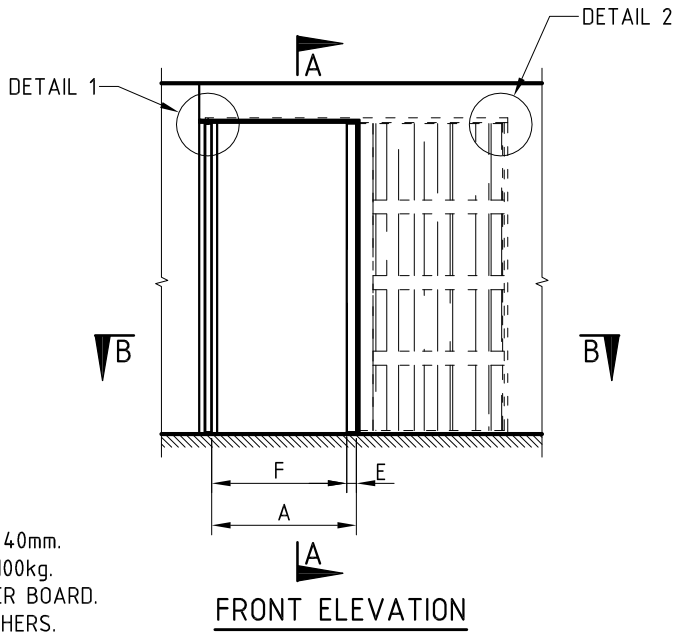


90° BI-PARTING CAVITY SLIDER - SHADOW LINE TYPE T80 FOR TIMBER DOOR



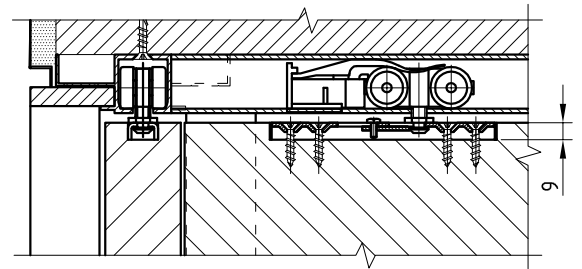
SECTION A - A



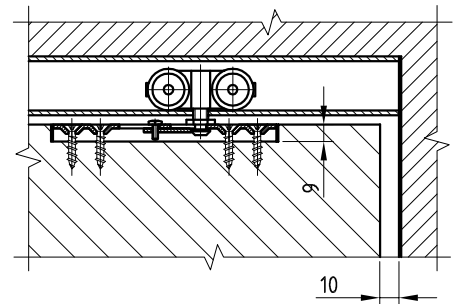
FRONT ELEVATION

NOTES:

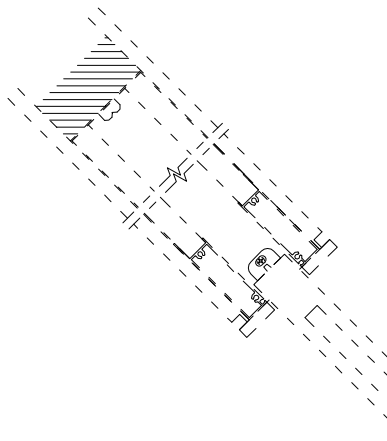
1. MAX. DOOR THICKNESS 40mm.
2. MAX. DOOR WEIGHT - 100kg.
3. SUITS 10-13mm PLASTER BOARD.
4. SHADOW LINE - BY OTHERS.



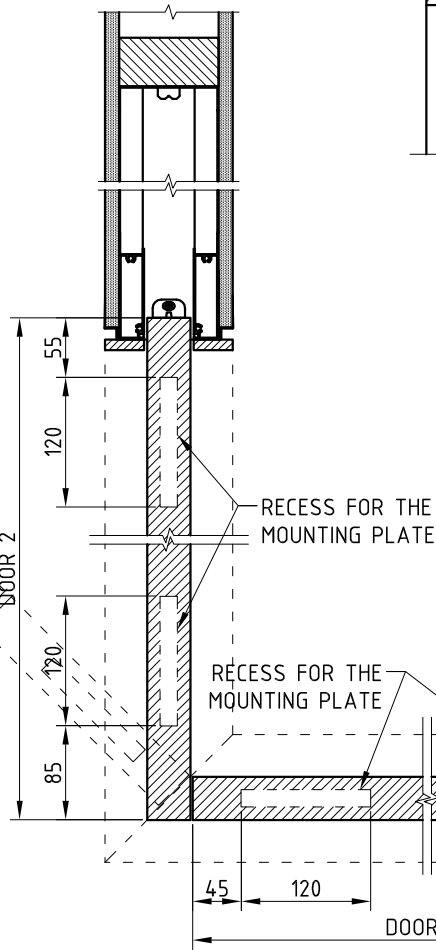
DETAIL 1



DETAIL 2



- A - OPENING FRAME WIDTH.
- C - DISTANCE FROM FINISHED FLOOR TO UNDERSIDE OF TRACK.
- D - DISTANCE FROM FINISHED FLOOR TO UNDERSIDE OF SUPPORT BEAM.
- E - PROJECTION OF DOOR FROM CAVITY.
- F - CLEAR OPENING WIDTH.



SECTION B - B

RUBBER BUMPER

ALUMINIUM FRAME