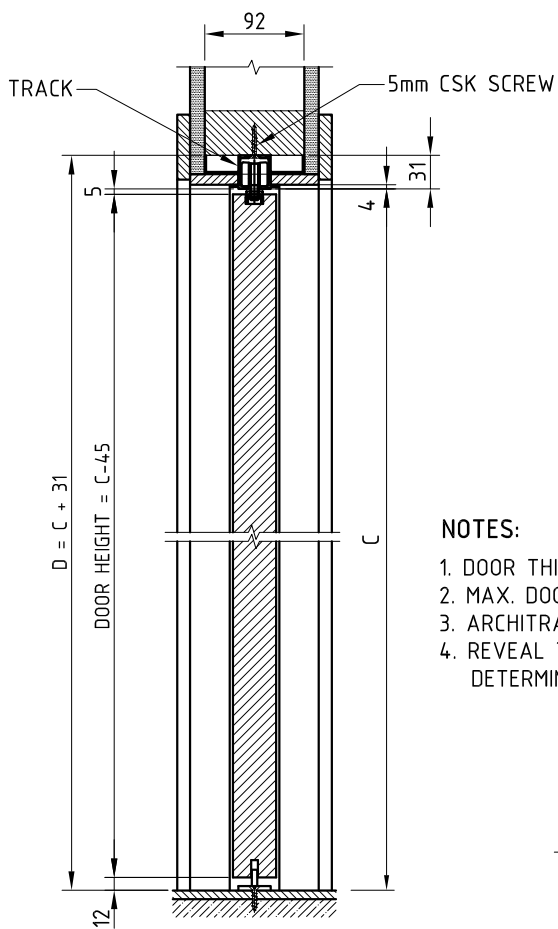
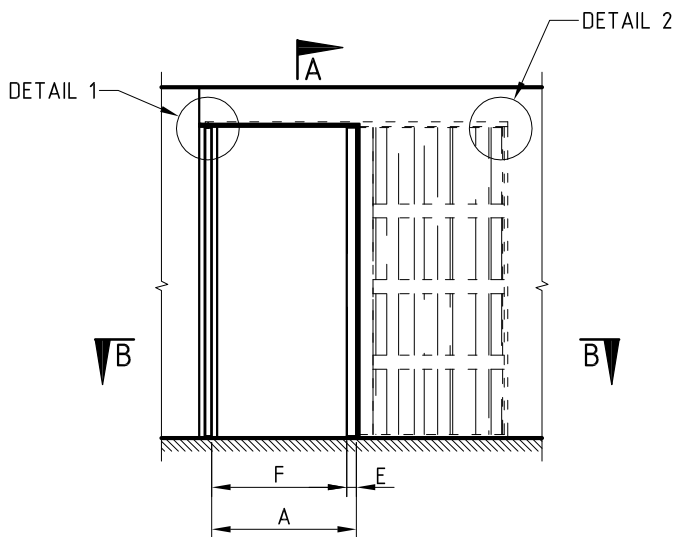


90° BI-PARTING CAVITY SLIDER - READY TO LINE TYPE T80 FOR TIMBER DOOR

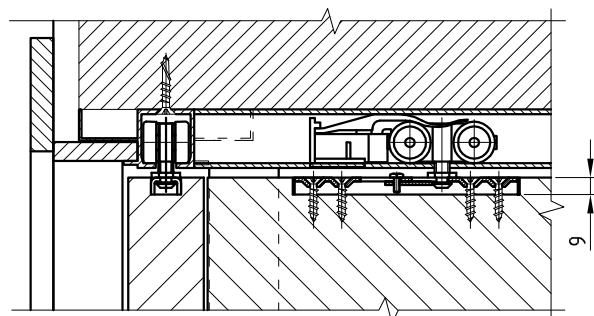


SECTION A - A

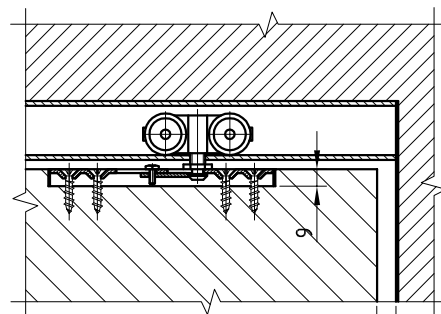


FRONT ELEVATION

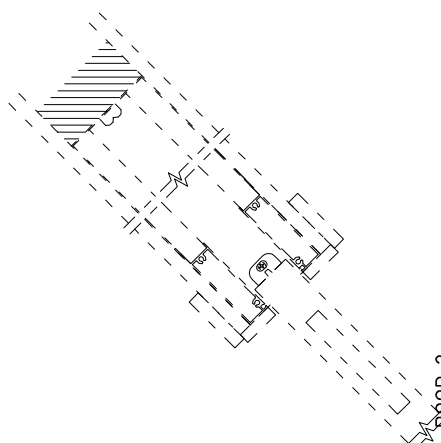
- NOTES:
1. DOOR THICKNESS 40mm.
 2. MAX. DOOR WEIGHT - 100kg.
 3. ARCHITRAVE - BY OTHERS.
 4. REVEAL THICKNESS 'G' TO BE DETERMINED BY CUSTOMER



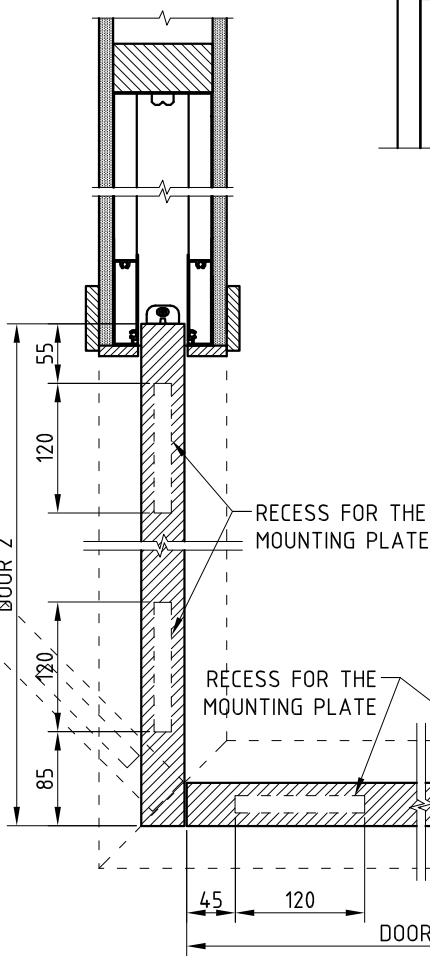
DETAIL 1



DETAIL 2



- A - OPENING FRAME WIDTH.
- C - DISTANCE FROM FINISHED FLOOR TO UNDERSIDE OF TRACK.
- D - DISTANCE FROM FINISHED FLOOR TO UNDERSIDE OF SUPPORT BEAM.
- E - PROJECTION OF DOOR FROM CAVITY.
- F - CLEAR OPENING WIDTH.
- G - REVEAL THICKNESS.



SECTION B - B

RUBBER BUMPER

ALUMINIUM FRAME