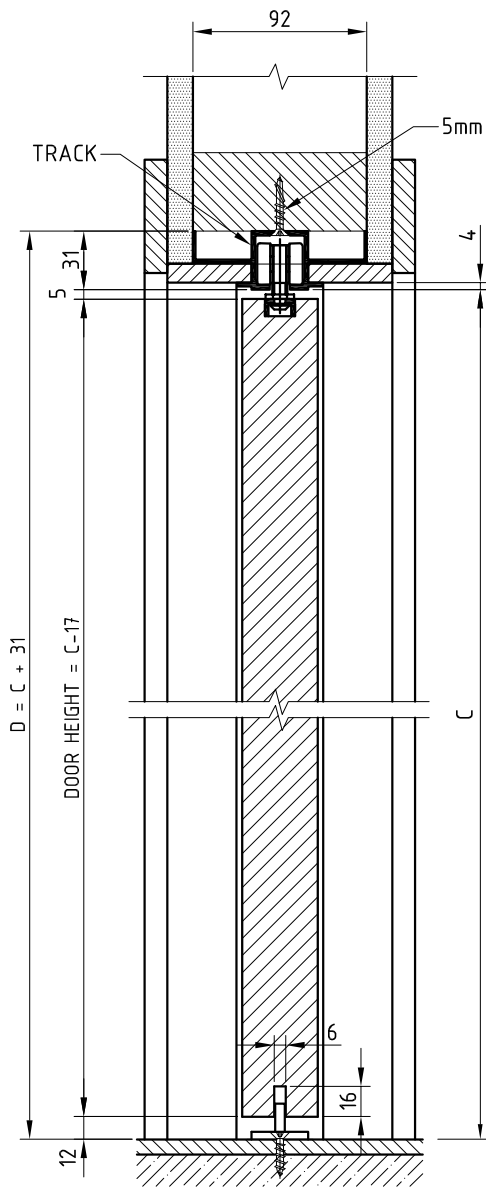
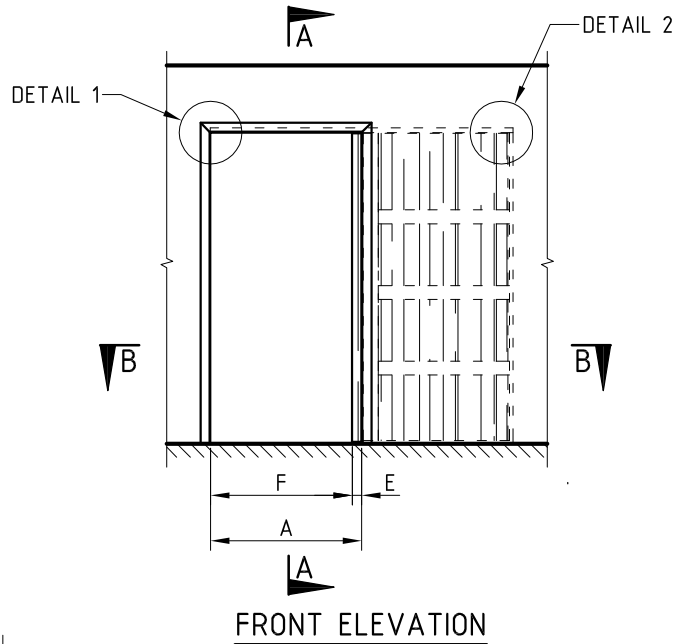


# SINGLE CAVITY SLIDER - READY TO LINE TYPE T20

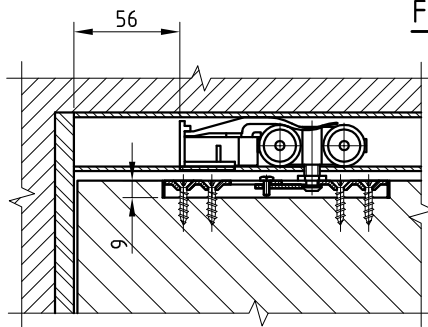
FOR TIMBER DOOR AND TIMBER ARCHITRAVE



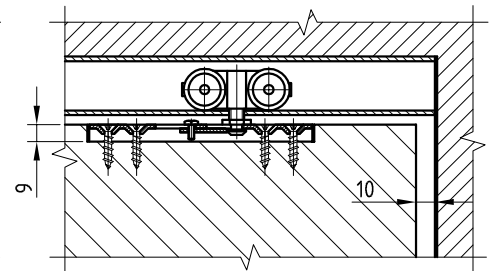
SECTION A - A



FRONT ELEVATION



DETAIL 1

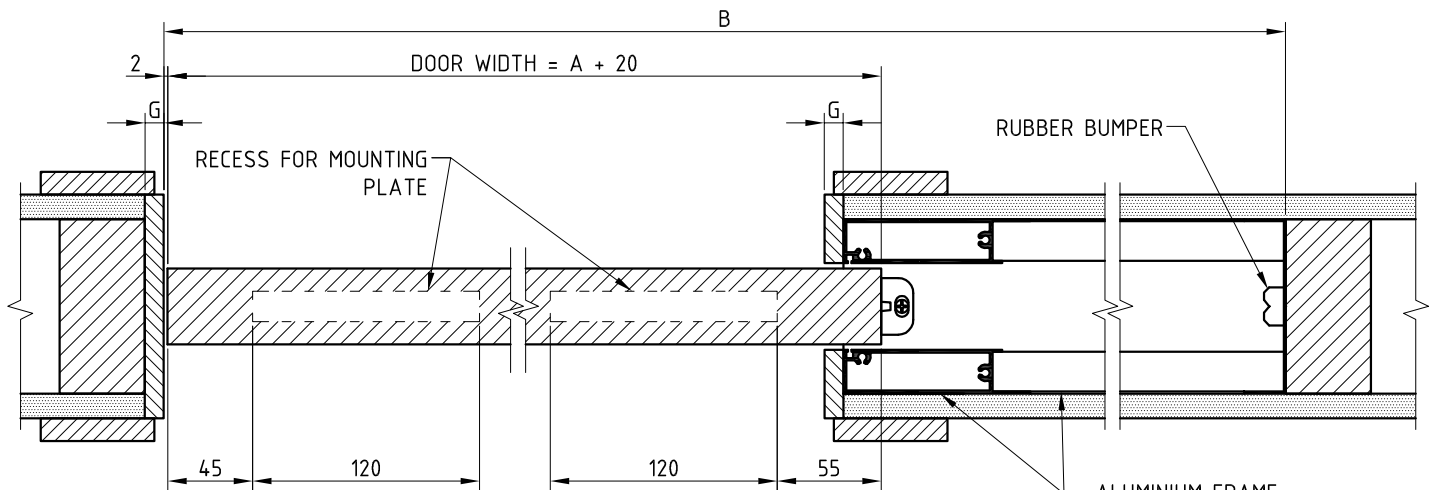


DETAIL 2

- A - OPENING FRAME WIDTH.
- B - OVERALL FRAME SIZE.
- C - DISTANCE FROM FINISHED FLOOR TO UNDERSIDE OF TRACK.
- D - DISTANCE FROM FINISHED FLOOR TO UNDERSIDE OF SUPPORT BEAM.
- E - PROJECTION OF DOOR FROM CAVITY.
- F - CLEAR OPENING WIDTH.
- G - REVEAL THICKNESS.

**NOTES:**

1. MAX. DOOR THICKNESS - 40mm.
2. MAX. DOOR WEIGHT - 100kg.
3. END JAMB AND ARCHITRAVE - BY OTHERS.
4. REVEAL THICKNESS 'G' TO BE DETERMINED BY CUSTOMER.
5. SUITS 10-13mm PLASTER BOARD.



SECTION B - B