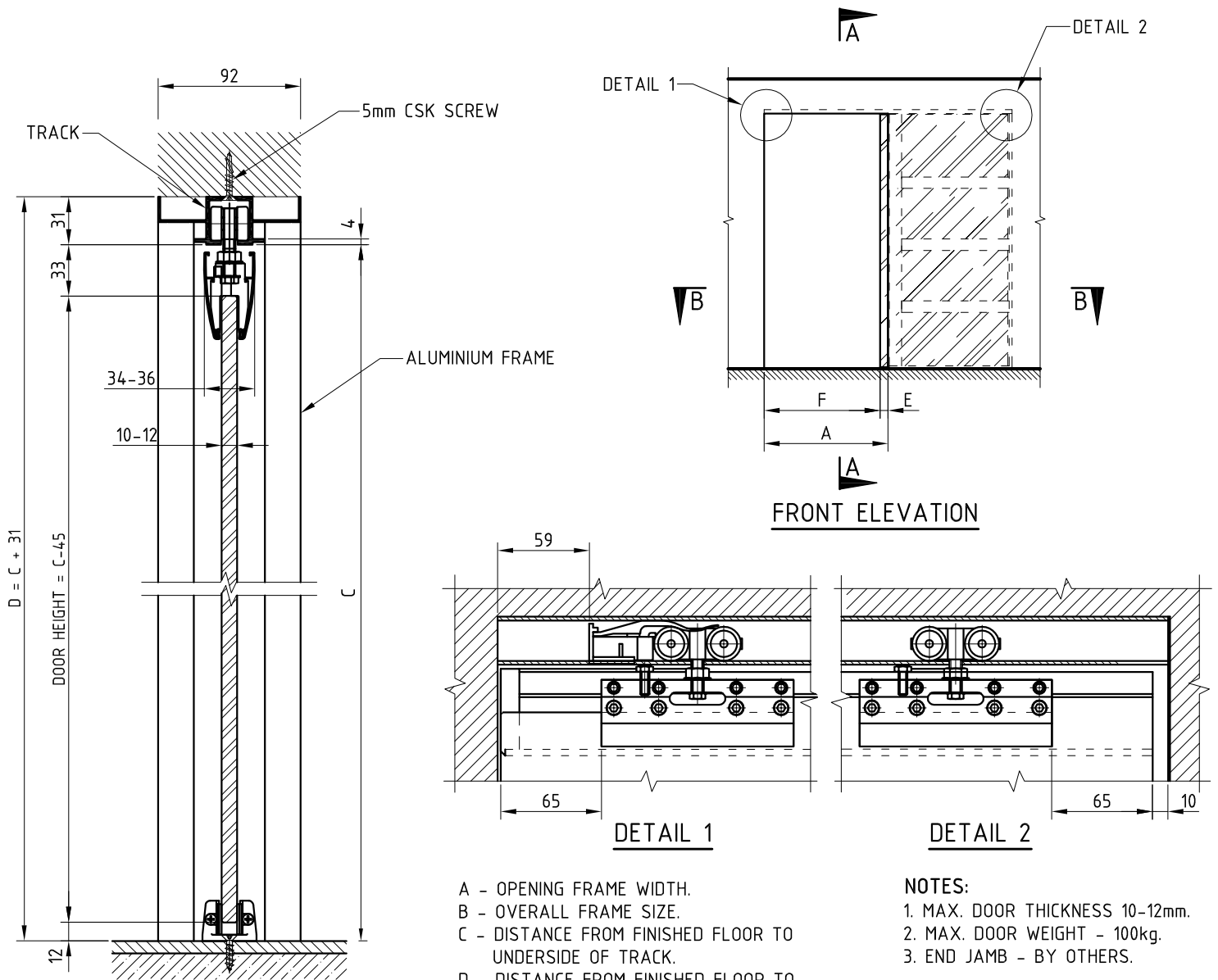


# SINGLE CAVITY SLIDER - RAW TYPE G10

FOR GLASS DOOR



**SECTION A - A**

**FRONT ELEVATION**

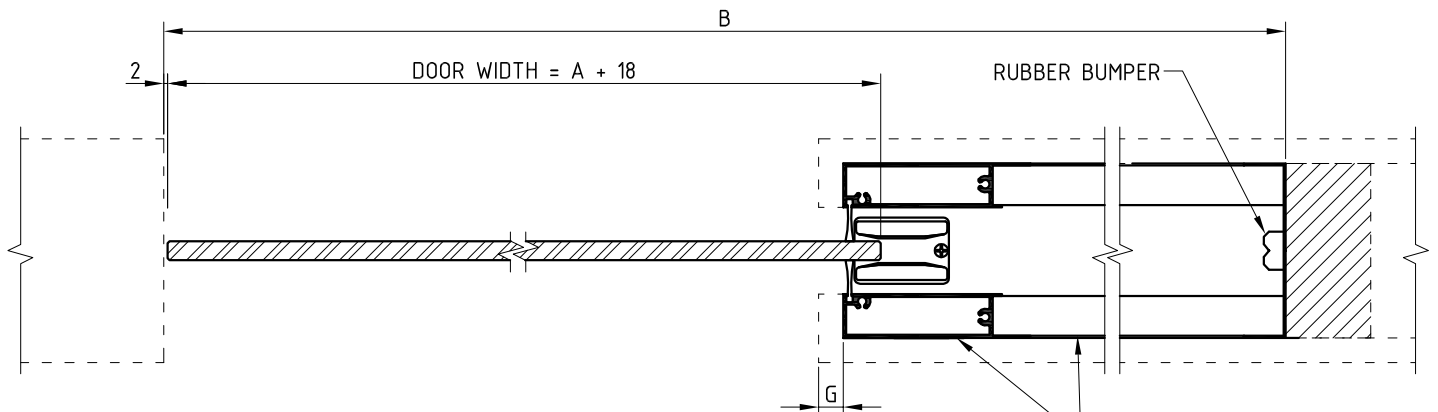
**DETAIL 1**

**DETAIL 2**

- A - OPENING FRAME WIDTH.
- B - OVERALL FRAME SIZE.
- C - DISTANCE FROM FINISHED FLOOR TO UNDERSIDE OF TRACK.
- D - DISTANCE FROM FINISHED FLOOR TO UNDERSIDE OF SUPPORT BEAM.
- E - PROJECTION OF DOOR FROM CAVITY.
- F - CLEAR OPENING WIDTH.
- G - REVEAL THICKNESS TO BE CONFIRMED.

**NOTES:**

1. MAX. DOOR THICKNESS 10-12mm.
2. MAX. DOOR WEIGHT - 100kg.
3. END JAMB - BY OTHERS.



**SECTION B - B**